

PARTIAL-FILLED PIPE ELECTROMAGNETIC FLOW METER


BlueFlow
by 



**NEW
ARRIVAL**



New High-tech
Enterprise



CE



Ex-proof



ISO

APPLICATION

BlueFlow
by Q&S T



Waste Water, Rainwater



Irrigation



Sewage

DETAILS



BlueFlow

by **OST**

**FLOW
SENSOR**

CONVERTER



01

FLOW SENSOR


BlueFlow
by 



Suitable For
Low Flow Rate
Conductive
Liquids

Measurement
possible down
to 10% filling
of pipe

02

CONVERTER



- Big Screen LCD Backlight Display
- Multiple Data Display
Flow Rate, Water Level, Accumulated Flow, Instantaneous Flow etc
- Various Unit Options
- Multiple Signal Outputs



BlueFlow

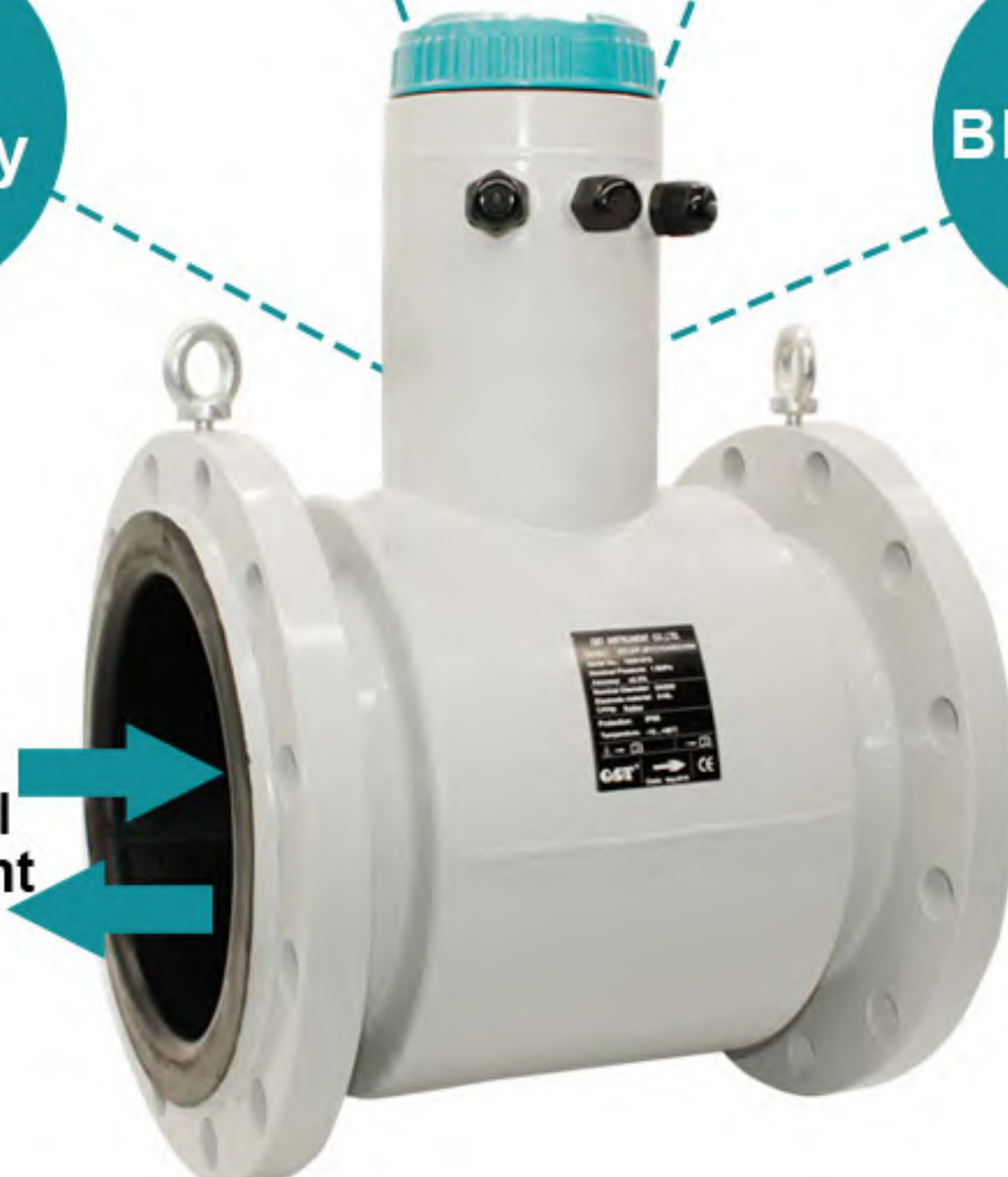
by **Q&T**

**Durable
Stable**

**Anti
Interference**

**High
Accuracy
2.5%**

**Small
Blind Zone
60mm**



**Bidirectional
Measurement**



BlueFlow

by 



1.

**No Pressure
Loss**

2.

**No Need To
Close Pipe During
Installation**

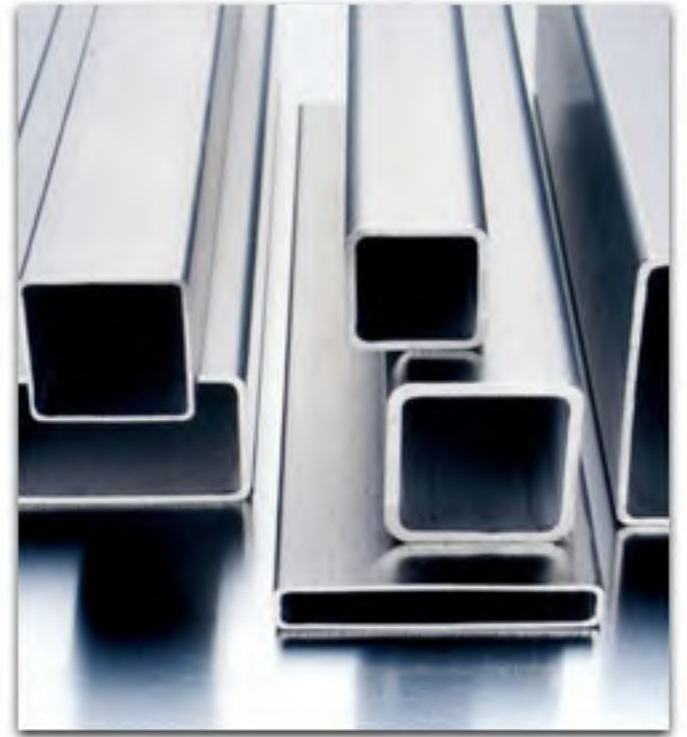
3.

**Continuous
Measurement**

Pipe Shape & Material



Can Measure
Circle Tube,
Square Tube,
etc.



Apply To Cement, Carbon Steel, SS304 Pipe, etc

PARAMETER

Measuring Pipe Size	DN200-DN3000
Connection	Flange
Liner Material	Neoprene/Polyurethane
Electrode Material	SS316, TI, TA, HB, HC
Structure Type	Remote Type
Accuracy	2.5%
Output Signal	Modbus RTU, TTL electrical level
Communication	RS232/RS485
Flow speed range	0.05-10m/s
Protection Class	Converter: IP65 Flow Sensor: IP65(standard), IP68(optional)

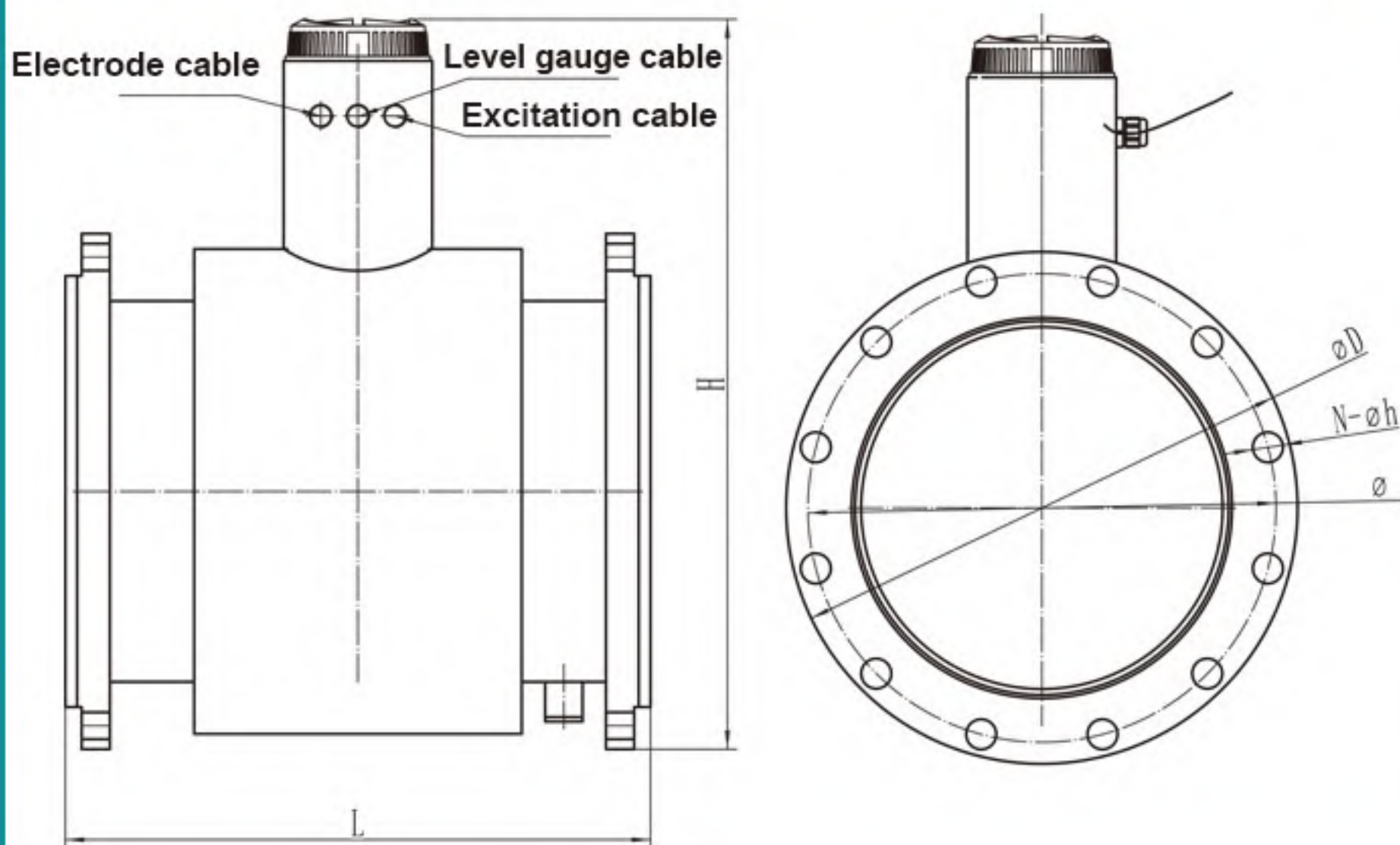
MODEL SELECTION

QTLD/F		XXX	X	X	X	X	X	X	X	X	X
Diameter (mm)	DN200-DN1000 three digit number										
Nominal pressure	0.6Mpa	A									
	1.0Mpa	B									
	1.6Mpa	C									
The connection method	The flange type		1								
Liner	neoprene			A							
Electrode materials	316L	A									
	Hastelloy B	B									
	Hastelloy C	C									
	titanium	D									
	tantalum	E									
	Stainless steel coated with tungsten carbide	F									
Structure form	Remote Type							1			
	Remote Type Diving type							2			
The power supply	220VAC 50Hz								E		
	24VDC								G		
	12V								F		
Output/communication	Volume flow 4~20mADC/ pulse									A	
	Volume flow 4~20mADC/RS232C serial communication interface									B	
	Volume flow 4~20mADC/RS485C serial communication interface									C	
	Volume flow HART protocol output									D	
Converter form	square									A	
Special tag											

Diameter (mm)	Model number
200	201
250	251
300	301
350	351
400	401
450	451
500	501
600	601
700	701
800	801
900	901
1000	102

X	
1	Grounding electrode
2	Companion flange
3	Inlet protection flange

DIMENSION



Partial-filled pipe electromagnetic flow meter drawing(DIN flange)

Diameter (mm)	Nominal pressure	L(mm)	H	ØA	ØK	N-Øh
DN200	0.6	400	494	320	280	8-Ø18
DN250	0.6	450	561	375	335	12-Ø18
DN300	0.6	500	623	440	395	12-Ø22
DN350	0.6	550	671	490	445	12-Ø22
DN400	0.6	600	708	540	495	16-Ø22
DN450	0.6	600	778	595	550	16-Ø22
DN500	0.6	600	828	645	600	20-Ø22
DN600	0.6	600	934	755	705	20-Ø26
DN700	0.6	700	1041	860	810	24-Ø26
DN800	0.6	800	1149	975	920	24-Ø30
DN900	0.6	900	1249	1075	1020	24-Ø30
DN1000	0.6	1000	1359	1175	1120	28-Ø30

CALIBRATION



0.2% calibrate device ensure our high accuracy.
Calibrate each flow meter before delivery.
Each flow meter has its own calibrate certificate.

CERTIFICATE

Professional production, ensure high quality



Partial Filled Pipe Electromagnetic Flow Meter Ex-proof



Partial Filled Pipe Electromagnetic Flow Meter CE



Enterprise Certificates



DASTEC S.R.L.

Representantes / Distribuidores Exclusivos

Argentina
Tel: (+54 11) 5352 2500
Email: info@dastecsr.com.ar
Web: www.dastecsr.com.ar

More than 100 patents